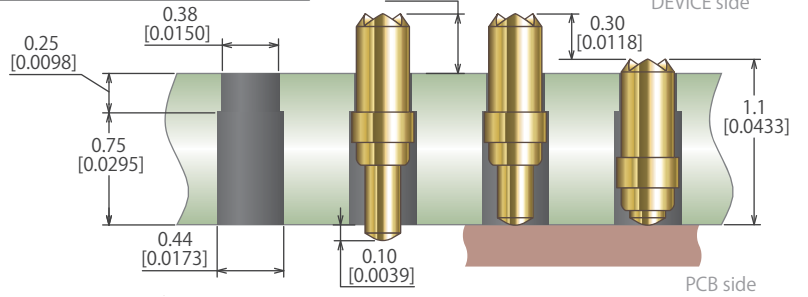
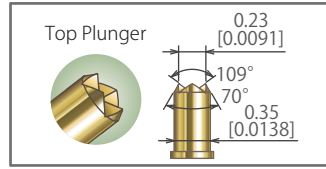
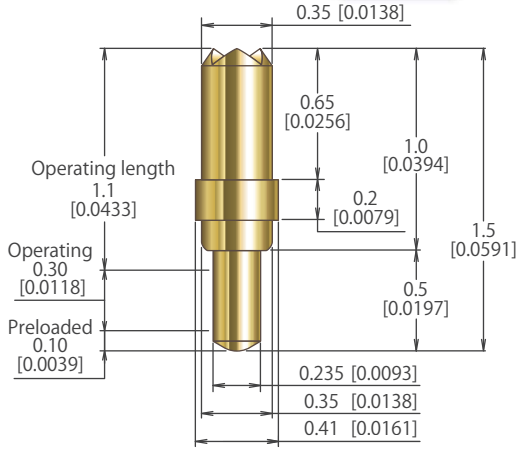


# High Frequency 高周波

Test Height **1.1mm**

Pin Outline in Millimeter [inch]

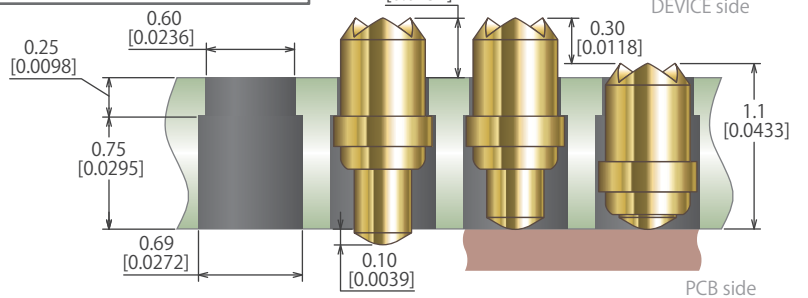
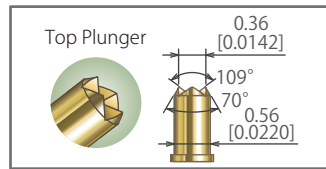
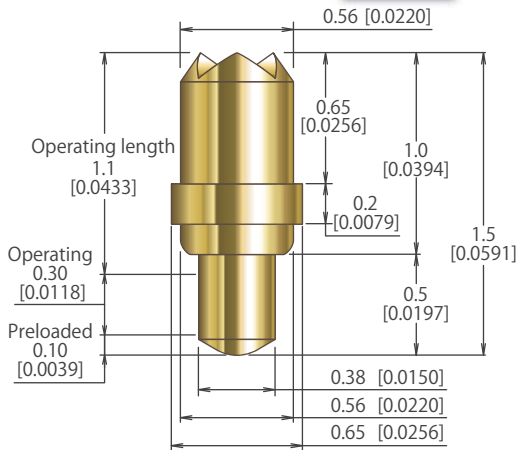
## KLS050-001CA **NEW**



Pitch **0.5mm**

**-1dB@38.5GHz**

## KLS080-001CA **NEW**



Pitch **0.8mm**

**-1dB@31.5GHz**

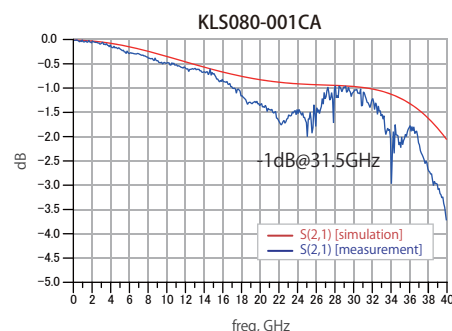
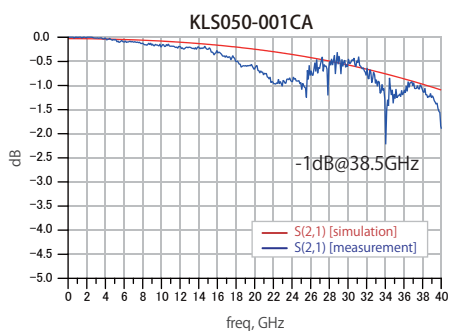
### SPECIFICATIONS (Approximate Average Values)

#### KLS050-001CA

#### KLS080-001CA

Mechanical Specifications	Spring Force at Operating Travel	10gf (0.35oz.)@0.4mm(0.0157inch) Travel	20gf (0.71oz.)@0.4mm(0.0157inch) Travel
	Operating Temperature	-45 to 125°C	-45 to 125°C
	Life Span at Operating Travel	100K Cycles	300K Cycles
Electrical Specifications	Current Rating (Continuous)	1.3A	2.4A
	Self Inductance	0.4nH	0.4nH
	Bandwidth @-1dB	38.5GHz	31.5GHz
	DC Resistance	≤0.1ohm	≤0.1ohm
Material and Finishes	Bottom Plunger	Hardened BeCu / Au plated	Hardened BeCu / Au plated
	Barrel	Hardened BeCu / Au Alloy plated	Hardened BeCu / Au Alloy plated
	Spring	Music Wire / Au plated	Music Wire / Au plated

### Insertion Loss Data



\*All specifications are subject to change without notice.